

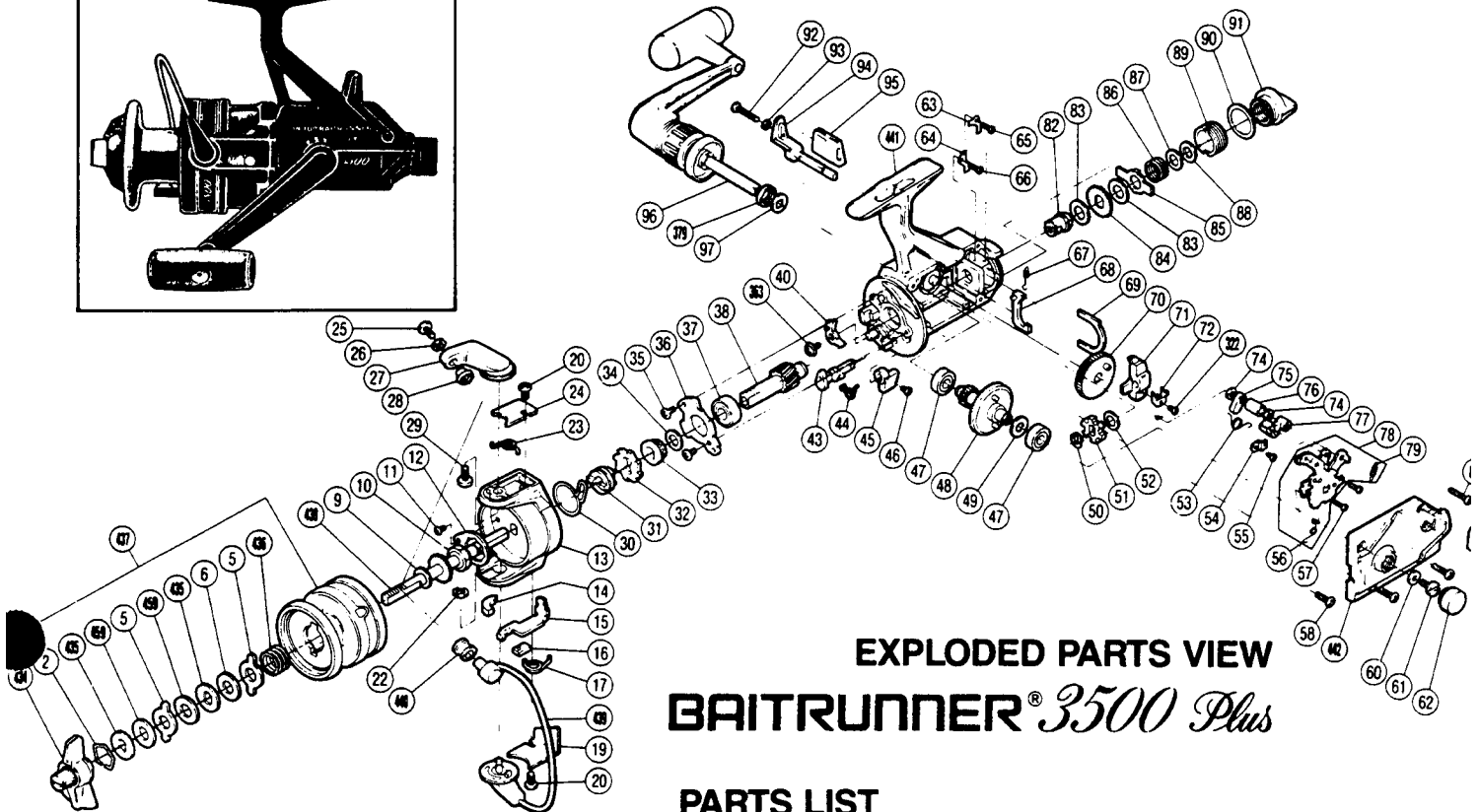
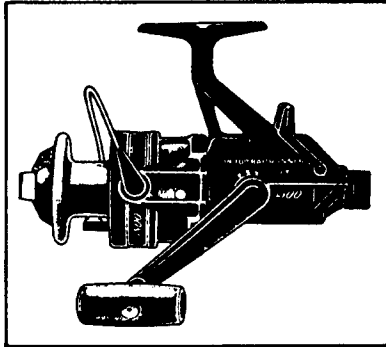
SHIMANO®

1987 REPAIR MANUAL

Shimano American Corporation, One Shimano Dr.
Irvine, CA 92718

TO ORDER:

This reel belongs to the "BaitRunner" series.
Please order parts using the abbreviation
"BR" and the part number.



EXPLODED PARTS VIEW

BAITRUNNER® 3500 Plus

PART #	DESCRIPTION	PART #	DESCRIPTION	PART #	DESCRIPTION
2.	Drag Washers Retainer	44.	Anti-Reverse Cam Spring	79.	Baitrunner Click Spring
5.	Eared Washer	45.	Anti-Reverse Lever	80.	Side Cover Screw B
6.	Drag Washer 2	46.	Anti-Reverse Lever Screw	81.	Baitrunner Lever Arm (L)
9.	Spool Washer	47.	Ball Bearing	82.	Free Spool Tension Shaft
10.	Rotor Nut	48.	Drive Gear	83.	Free Spool Tension Washer
11.	Nut Lock Screw	49.	Drive Gear Washer	84.	Click Gear
12.	Rotor Nut Lock Plate	50.	"C" Lock	85.	Eared Washer "BFS"
13.	Rotor	51.	Baitrunner Ratchet	86.	Free Spool Tension Spring
14.	Bail Trip Slide Cam	52.	Ratchet Spacer	87.	Tension Spring Washer "A"
15.	Bail Trip Lever	53.	Clutch Spring	88.	Tension Spring Washer "B"
16.	Trip Lever Guide	54.	Lever Shaft Retainer	89.	Free Spool Tension Screw
17.	Lever Spring	55.	Shaft Retainer Screw	90.	Dial Spacer
19.	Bail Trip Cover	56.	Clutch Pawl Spring	91.	Baitrunner Tension Dial
20.	Bail Trip Cover Screw	57.	Clutch Plate Screw	92.	Baitrunner Lever Screw
22.	"E" Lock	58.	Side Cover Screw A	93.	Lock Washer
23.	Bail Spring	60.	Handle Lock Washer	94.	Baitrunner Lever Arm (R)
24.	Bail Spring Cover	61.	Handle Lock Screw	95.	Baitrunner Lever Bridge
25.	Line Roller Screw	62.	Handle Screw Cap	96.	Handle Assembly
26.	Lock Washer	63.	Dial Click	97.	Handle Lock Spacer
27.	Bail Arm	64.	Baitrunner Pawl Guide	322.	Slider Retainer Screw
28.	Line Roller Washer	65.	Dial Click Screw	363.	Anti-Reverse Pawl Screw
29.	Bail Arm Screw	66.	Pawl Guide Screw	379.	Handle Lock Ring
30.	Anti-Reverse Pawl Spring	67.	Baitrunner Pawl Spring	434.	Fightin' Drag Knob
31.	Anti-Reverse Spring Holder	68.	Baitrunner Pawl	435.	Key Washer
32.	Anti-Reverse Ratchet	69.	Dial Retainer	436.	Drag Coil Spring
33.	Pinion Spacer	70.	Oscillating Gear	437.	Spool Assembly
34.	Bushing Washer	71.	Oscillating Slider	438.	Main Shaft
35.	Bearing Retainer Screw	72.	Oscillating Slider Retainer	439.	Bail Assembly
36.	Bearing Retainer	74.	Clutch Cam Spacer B	440.	Sic Ceramic Roller
37.	Ball Bearing	75.	Clutch Cam	441.	Body
38.	Pinion Gear	76.	Clutch Cam Spacer A	442.	Side Cover
40.	Anti-Reverse Pawl	77.	Clutch Arm	459.	Drag Washer 1